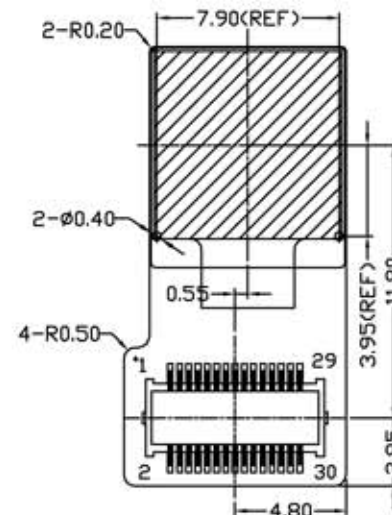
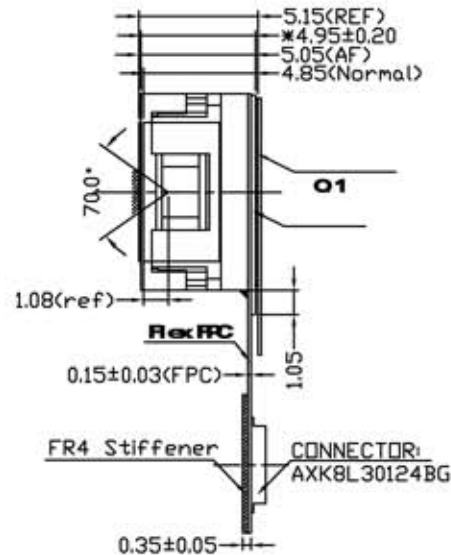
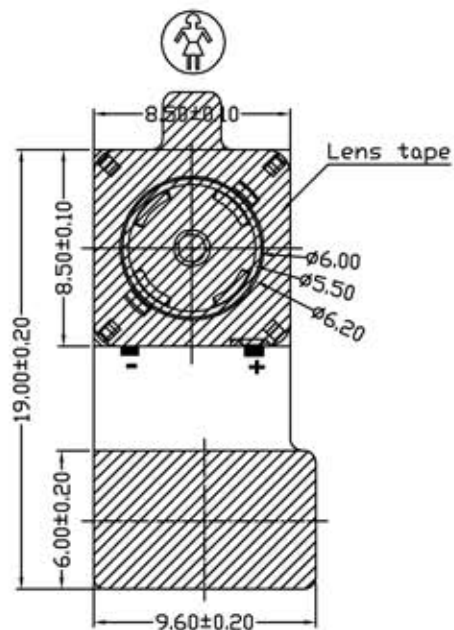


e-CAM52_5640_MOD Camera Module



30PIN DESCRIPTION

PIN NO.	SIGNAL
1	DD
2	ADD 2 8/
3	DI
4	ADD
5	DE
6	DDD 1 8/
7	DB
8	RESET
9	DA
10	DDD 2 8/
11	DS
12	PUBN
13	DS
14	SIC
15	DT
16	SICD
17	DS
18	GD
19	DS
20	USNC
21	GD
22	HSNC
23	NBK
24	FLK
25	GD
26	GD
27	AF GD
28	SIOE
29	GD
30	AF VDD

Module Specification

EFL	3.42
F.NO	2.8
View Angle	70.0°
Distortion	< 1 %
Focusing Range	10 cm~Infinity
Chip Type	OV5640_CSP
Array Size	5.0M
lens Size	1/4INCH 4P+IR

DVDD(1.5V+/-5%)
AVDD(2.6V~3.0V)
DDVDD(1.8V/2.8V)

Actuator Specification

Type	VCM Parameter	
Control Mode	IIC	25
Supply Voltage	2.8V~3.3 V	26
Coil Resistance	28±10% ohm	27
Rated Current	≤100mA	28
Lens Movement	0.30mm(Max)	29
		30

PRODUCT NO. e-CAM52_5640_MOD

TOLERANCE:
DECIMAL
.x ± .30
.xx ± .20
∠ ± 1/4



e-con Systems India Pvt. Ltd.

NOT IN SCALE UNIT mm SHEET: